

SPANDECK

Product Data Sheet

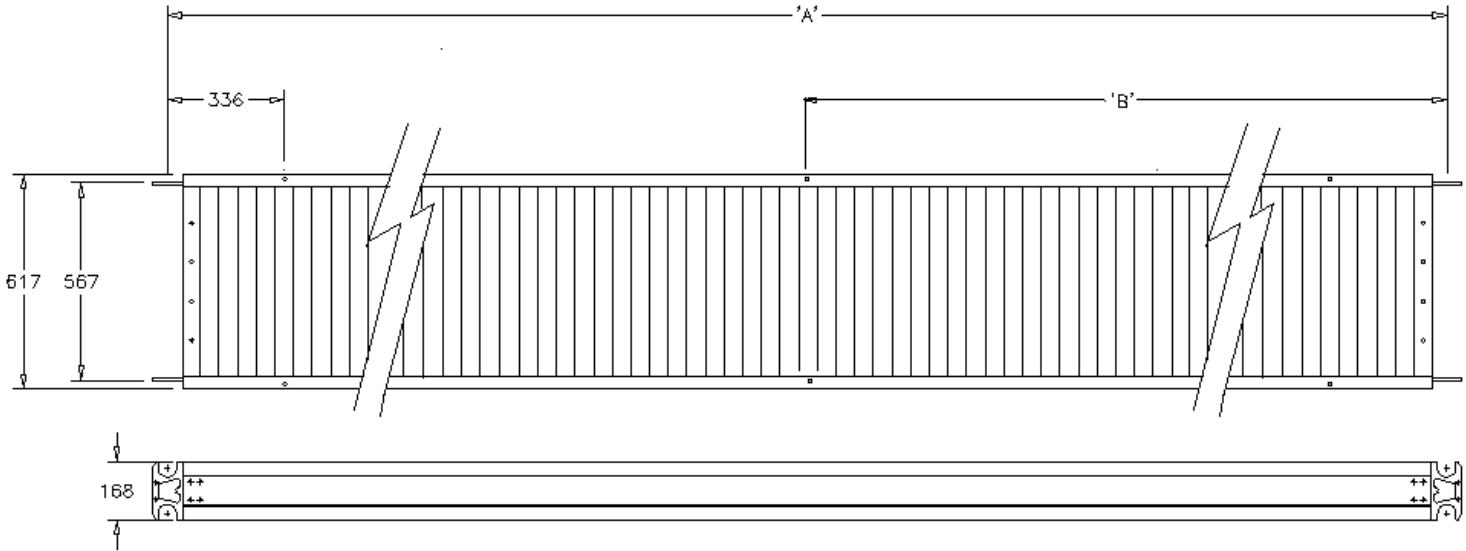


QUALITY & STRENGTH YOU CAN TRUST

COPYRIGHT NOTICE

This document is the property of Instant Upright Ltd. You may not possess, use, copy or disclose this document or any information in it, for any purpose, including without limitation, to design, manufacture, or repair parts without Instant Upright's express written permission. Neither receipt nor possession of this document alone, from any source, constitutes such permission. Possession, use, copying or disclosure by anyone without Instant's express written consent is not authorised and may result in criminal and/or civil liability.

STANDARD SPANDECK

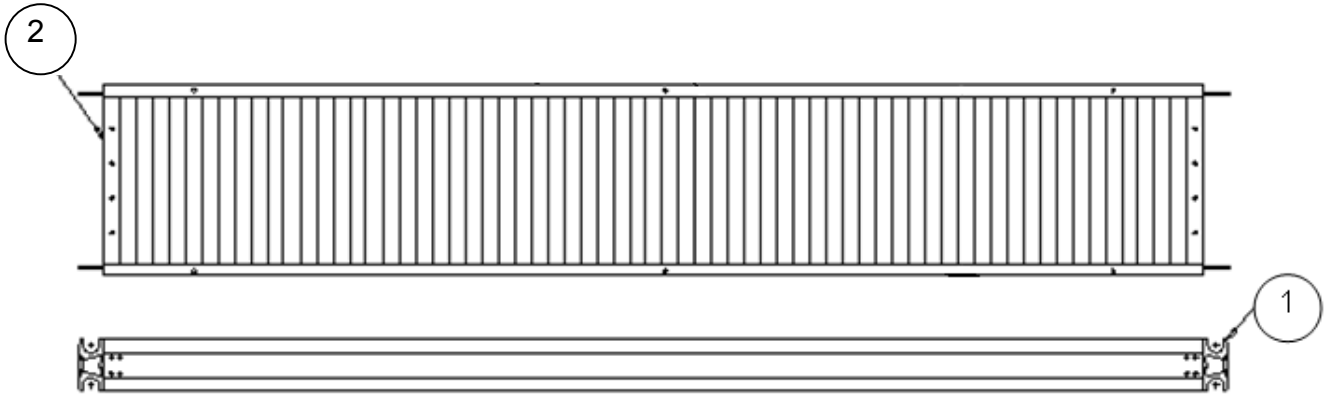


Part N°	Description	'A' (mm)	'B' (mm)	Weight (kg)	Safe Working Load * (kg)	
88012-01	3.7m (12') Deck Length	3666	1833	30	900	
88014-01	4.3m (14') Deck Length	4305	2153	34	770	
88016-01	5.0m (16') Deck Length	4947	2473	39	675	
88018-01	5.5m (18') Deck Length	5482	2688	43	600	
88020-01	6.1m (20') Deck Length	6121	3007	47	540	
88022-01	6.7m (22') Deck Length	6763	3326	51	490	
88024-01	7.3m (24') Deck Length	7404	3649	55	450	
88030-01	9.1m (30') Deck Length	9114	3115	79	450	

Notes

- Deck Material: Aluminium Alloy
- Safe Working Load distributed on the platform

SPANDECK PARTS



Spandeck Serviceable items

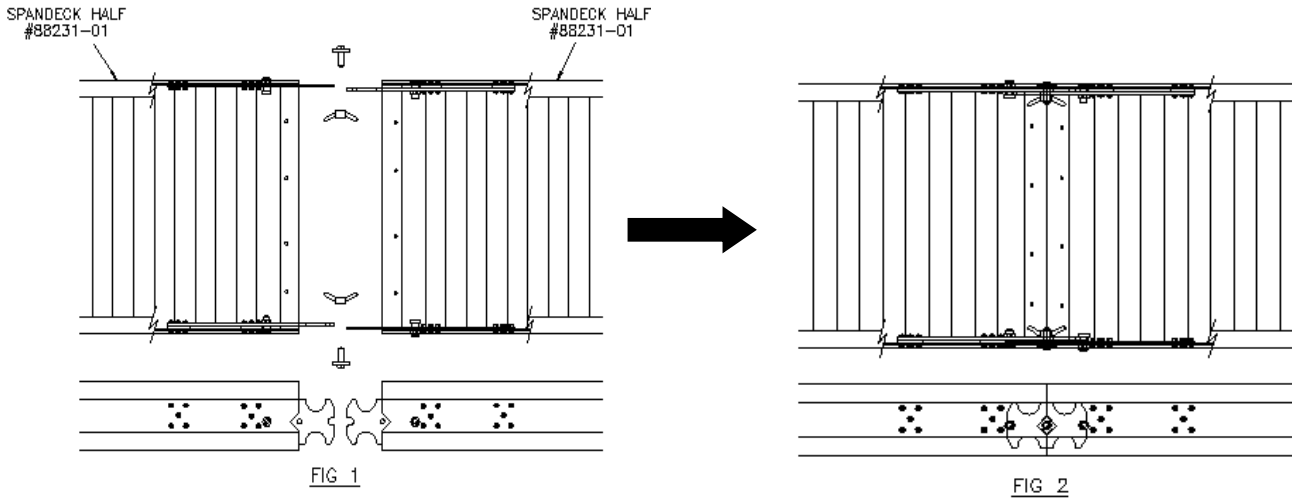
Item	Description	Part N°	
1	Offset Hook	88209	
2	End Capping	88293-01	

Notes

- Deck material: Alloy

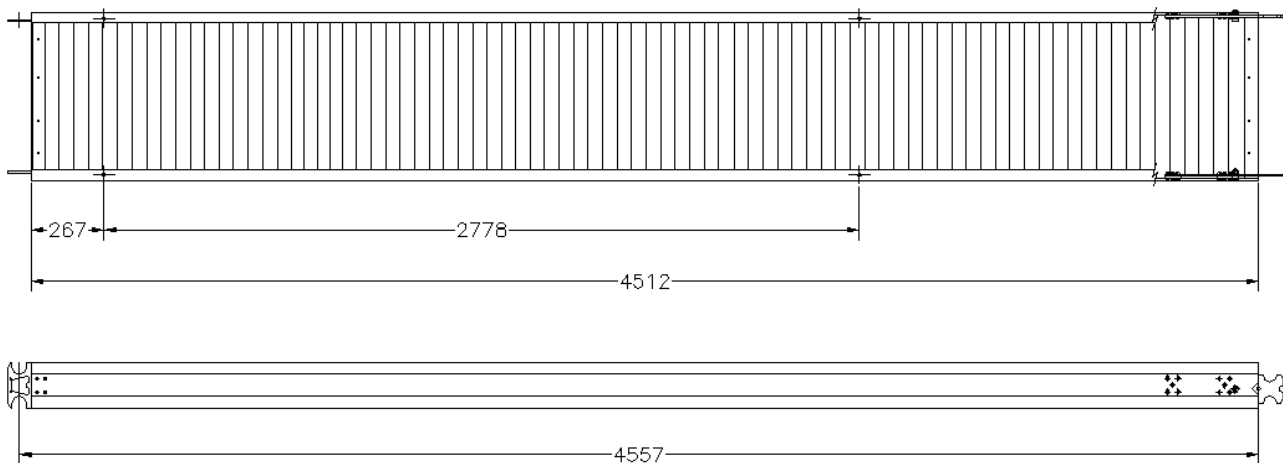
SPANDECK (TWO SECTION-QUICK RELEASE)

▪ **Assembly of P/N 88230- 01 Jointed Spandek**



Part N°	Description	Weight (kg)	Safe Working Load * (kg)	
88230-01	9.1 (30') Deck Length (in 2 halves)	92	400	

▪ **Spandek Half (P/N 88231-01)**

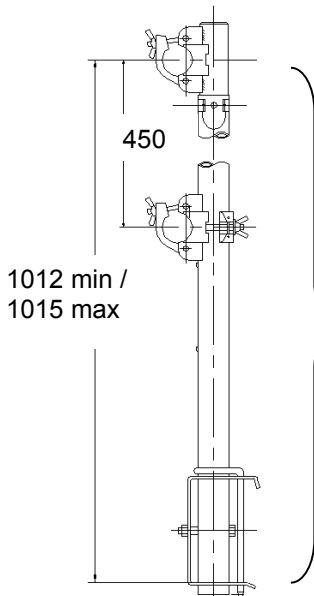


Notes

- Deck Material: Aluminium Alloy

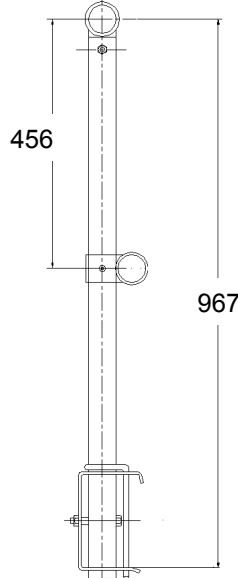
GUARDRAIL POST

▪ **2 Rail Posts (Top Rail & Mid Rail)**

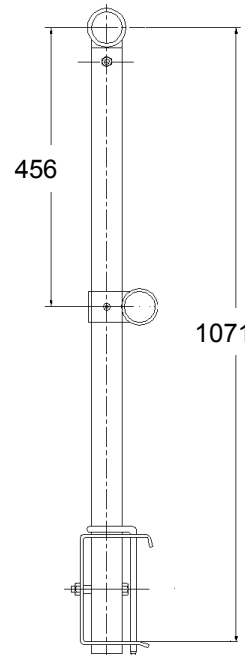


P/N 88065

Adjustable
Height
Post

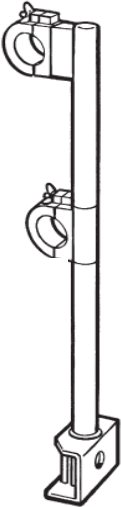


P/N 88817

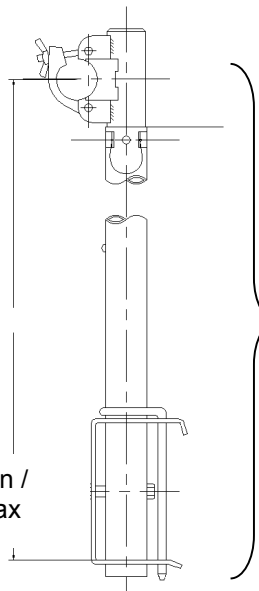


P/N 88818

Fixed
Height
Post



▪ **Single Rail Post (Top Rail Only)**



P/N 88055

Adjustable
Height
Post

Part N°	Description	Weight (kg)	
88055	0.9m high (one coupler)	3.6	
88065	1.0m high (two couplers)	3.7	
88817	Tea Head post & Midrail (Walkway Post)	3.3	
88818	Tea Head post & Midrail (Staging Post)	3.2	

Notes

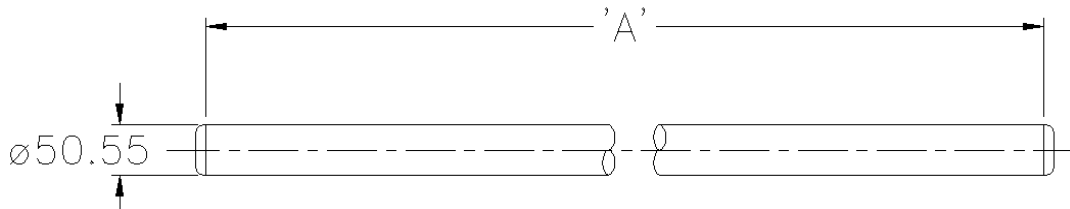
Adjustable Guardrails can be used in two Spandeck configurations:

- Walkway(Spandeck right side)
- Staging (Spandeck reversed)

▪ **Tee Head post & midrail type (P/N 88817)**

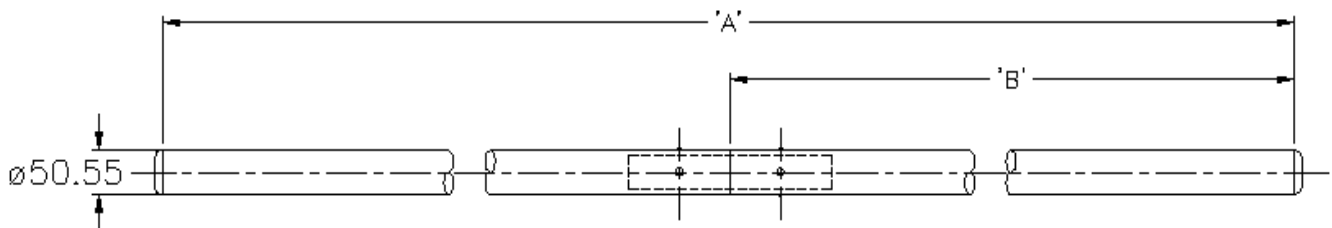
HANDRAIL

▪ **Normal size type**



Part N°	Description	'A' (mm)	Weight (kg)	
88112	3.7m Spandeck Handrail	3805	4.1	
88114	4.3m Spandeck Handrail	4445	4.8	
88116	5.0m Spandeck Handrail	5086	5.5	
88118	5.5m Spandeck Handrail	5621	6.1	
88120	6.1m Spandeck Handrail	6261	6.8	

▪ **Large size type**

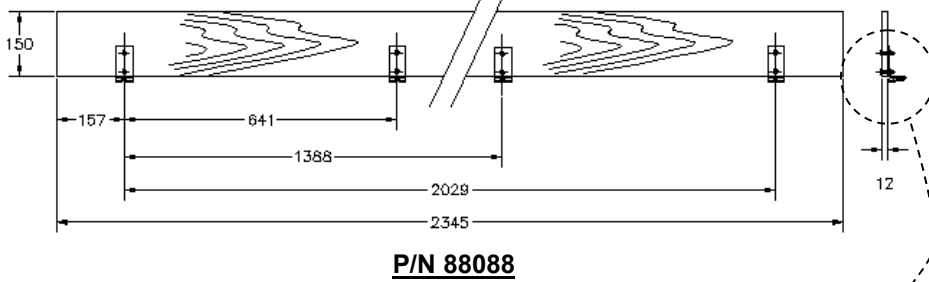
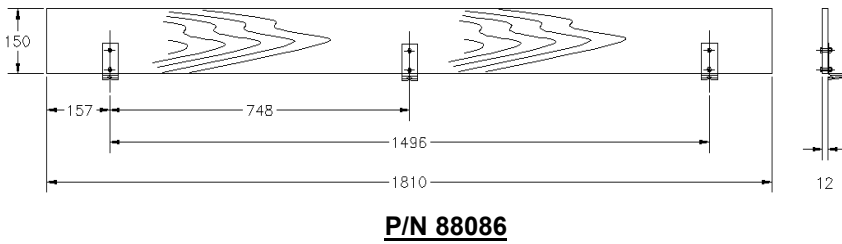
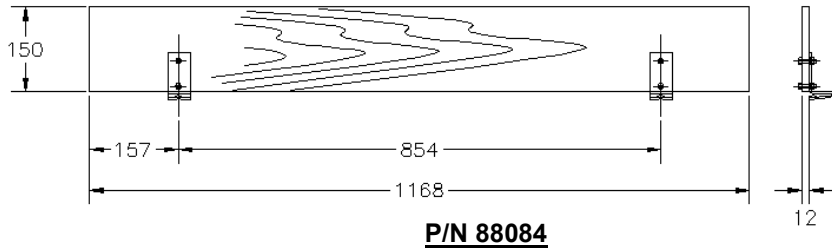


Part N°	Description	'A' (mm)	'B' (mm)	Weight (kg)	
88122	6.7m Spandeck Handrail	6903	6147	7.7	
88124	7.3m Spandeck Handrail	7544	6499	8.5	
88130	9.1m Spandeck Handrail	8975	6499	10.2	

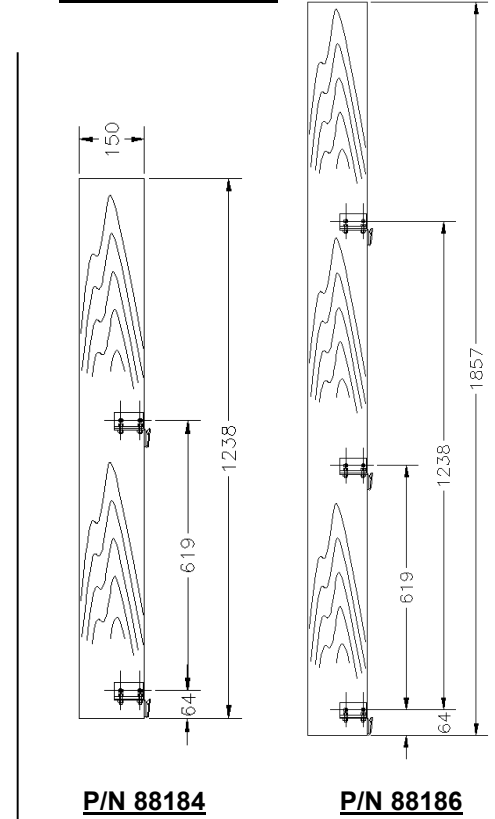
Notes

TOEBOARD

▪ **Side toeboards**

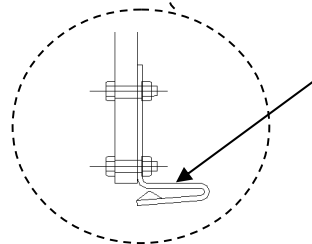


▪ **End toeboards**



Notes

- Toeboards are used only in Staging Spandeck configuration
- Board Material: 12 mm Phenolic Coated Plywood

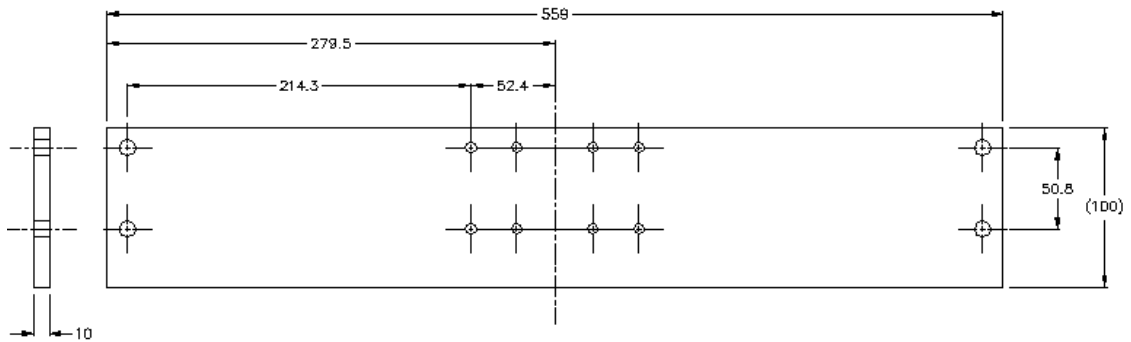


Toeboard Clip (P/N 88-080)

Part N°	Description	Weight (g)	
88084	1.2m Long Side Toeboard	1.8	
88086	1.8m Long Side Toeboard	2.9	
88088	2.4m Long Side Toeboard	3.9	
88184	1.2m Long End Toeboard	2.5	
88186	1.8m Long End Toeboard	3.5	

ACCESSORIES

▪ **Fishplate with Nuts and Bolts**

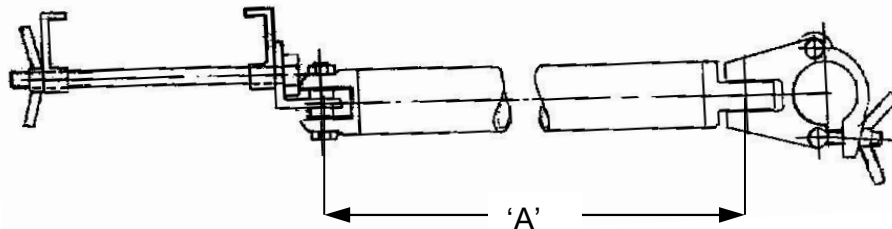


Part N°	Description	Weight (kg)	
88220	Fishplate with Nuts and Bolts	4.4	

Notes

- Fishplate is used to join two Spandecks
- Material: Black Mild Steel

▪ **Knee Brace**



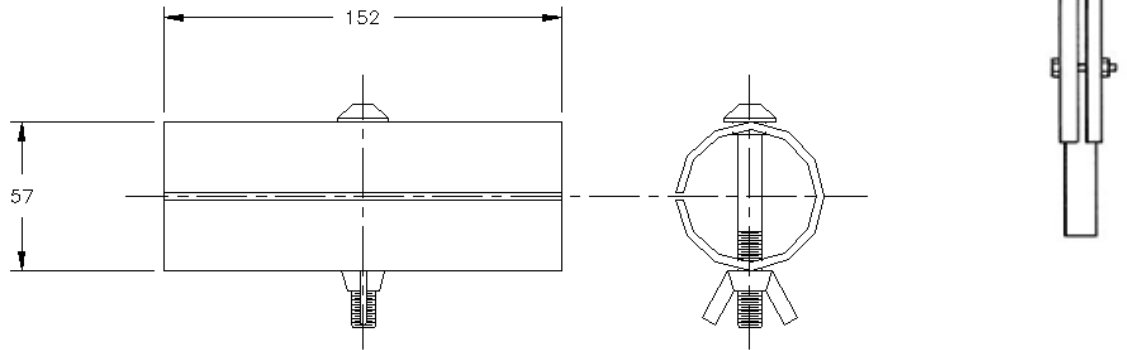
Part N°	Description	'A' (mm)	Weight (kg)	
88110	Short Knee Brace	4900	3.2	
88111	Long Knee Brace	2384	3.9	

Notes

- Knee Braces are used to link the Spandeck to the frames

ACCESSORIES

▪ **Tube Connector**



Part N°	Description	Weight (kg)	
9067	Tube Connector	0.2	

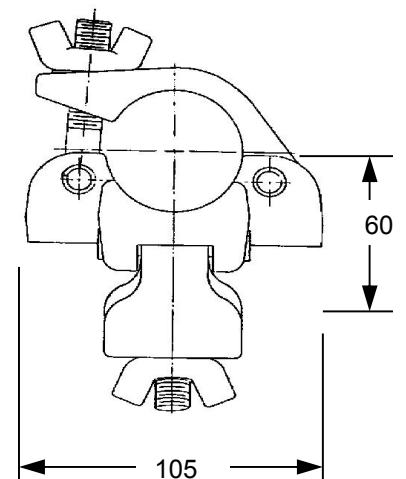
Notes

- Tube Connectors are used to join handrails in line
- Material: Zinc

▪ **Right Angled Coupler**

Notes

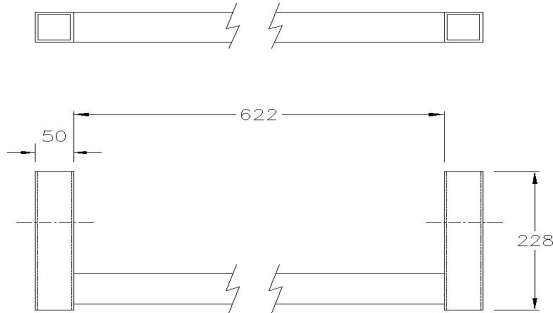
- Right Angled Couplers are used to join handrails to guardrails posts
- Material: Zinc



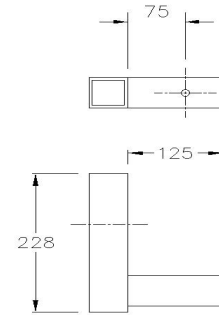
Part N°	Description	Weight (kg)	
603	Right Angled Coupler	0.9	

ACCESSORIES

▪ **Spandeck Post Brackets.**



E1154-03

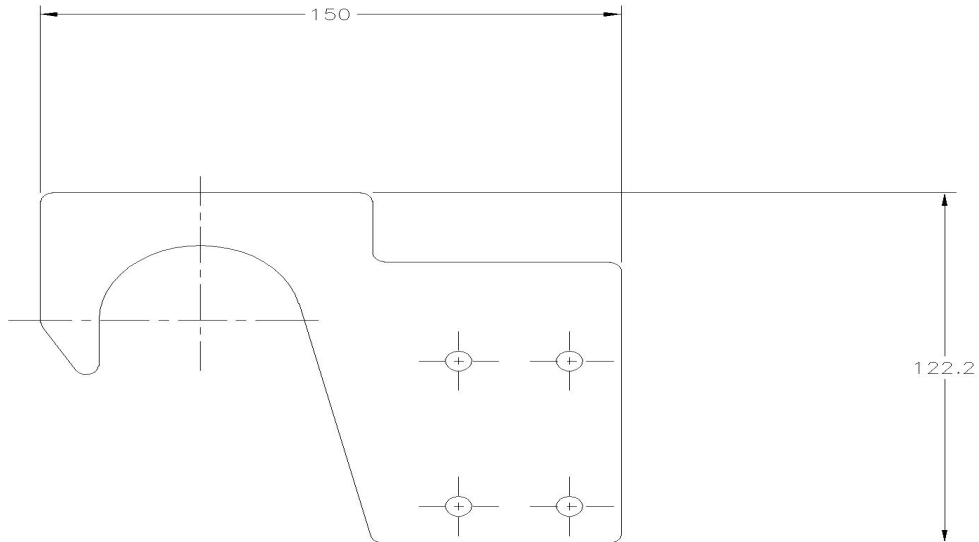


E1154-11

Part N°	Description	Weight (kg)	
E1154-03	Spandeck Post Bracket Unit	1.0	
E1154-11	Spandeck Post bracket		

ACCESSORIES

▪ **Offset Spandeck Hook.**



Part N°	Description	Weight (kg)	
E811-58	Spandeck offset hook		