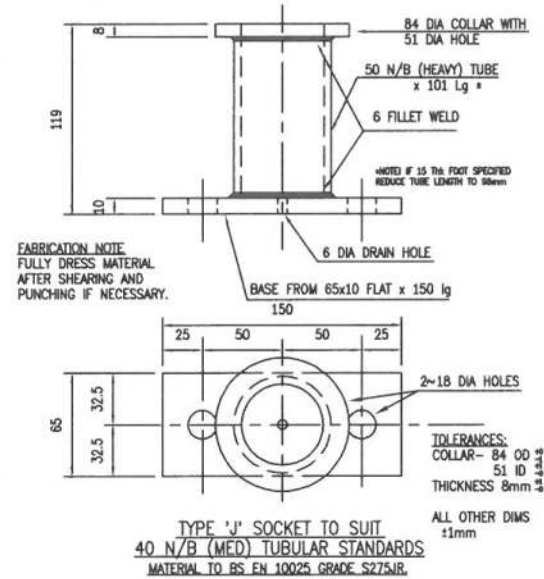
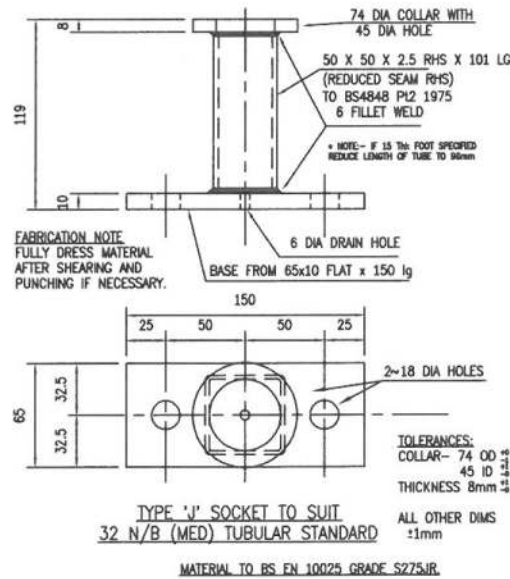
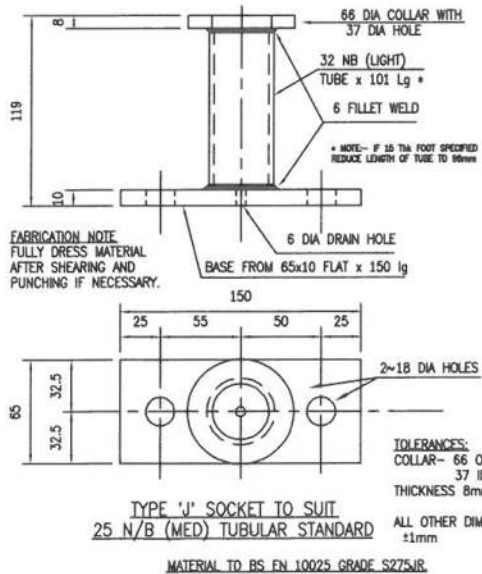
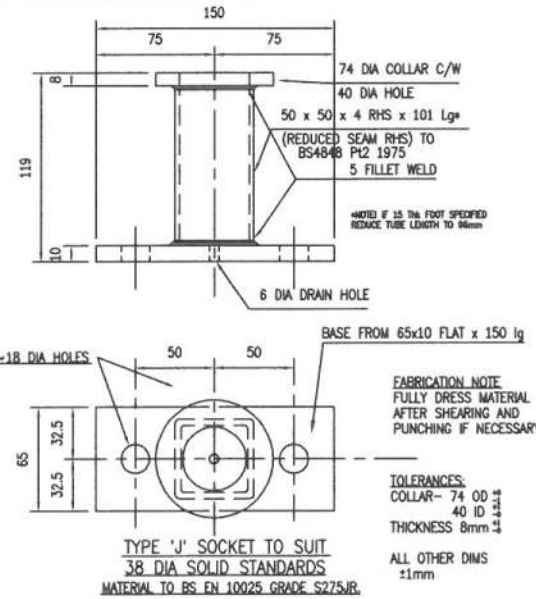
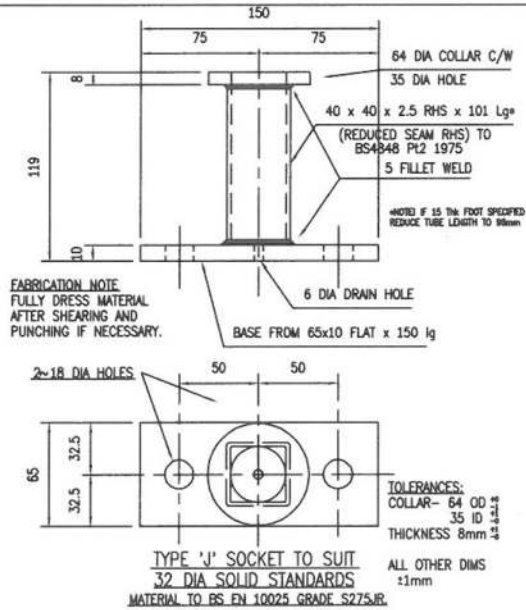


MATERIAL:

FINISH:



103 Airport Road West
Belfast
BT3 9ED
Tel: 02890 454599

DO NOT SCALE

IF IN DOUBT ASK

SUBJECT TYPE J Socket Detail

FIXING CLIPS SADDLE/STANDARD

No OFF	TYPE	No OFF	TYPE

REF. DRGS.

SCALE	1:20	No. OF PANELS	
DRAWN BY	RSC	DATE	16/08/10
CHECKED BY	AC	APPROVED	L.Mc.
DRG. No.	LKFL-STD-39	ISSUE	00

CLIENT:

ISSUE	DATE	ISSUE	DATE
02		01	

ISSUED FOR	DATE
	05.09.08