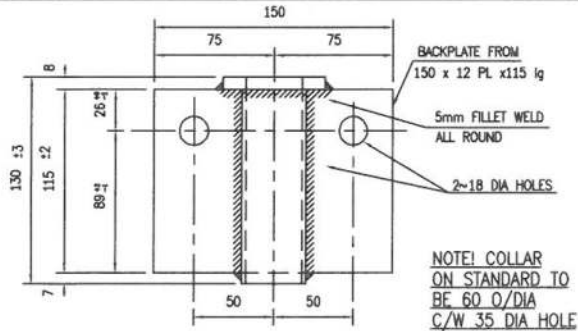
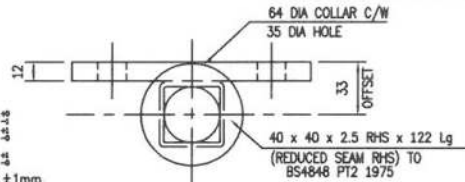


MATERIAL:

FINISH:

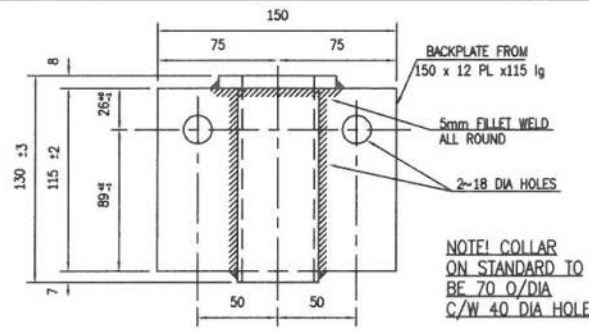


TOLERANCES:  
COLLAR- 64 OD  $\pm 0.15$   
35 ID  $\pm 0.15$   
THICKNESS 8mm  $\pm 0.1$   
ALL OTHER DIMS  $\pm 1$ mm.

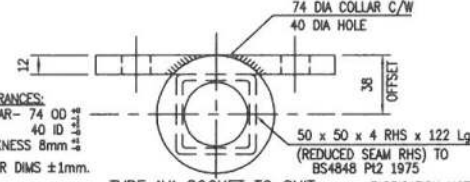


TYPE 'H' SOCKET TO SUIT  
32 DIA SOLID STANDARDS  
MATERIAL TO BS EN 10025 GRADE S275JR.

FABRICATION NOTE  
FULLY DRESS MATERIAL  
AFTER SHEARING AND  
PUNCHING IF NECESSARY.

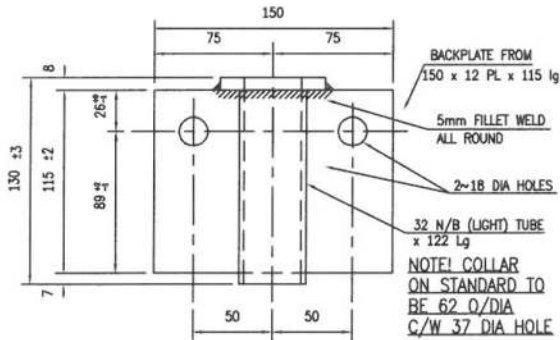


TOLERANCES:  
COLLAR- 74 OD  $\pm 0.15$   
40 ID  $\pm 0.15$   
THICKNESS 8mm  $\pm 0.1$   
ALL OTHER DIMS  $\pm 1$ mm.

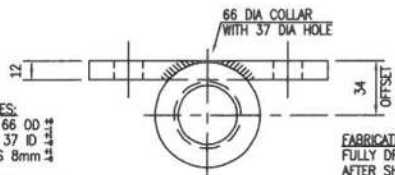


TYPE 'H' SOCKET TO SUIT  
38 DIA SOLID STANDARDS  
MATERIAL TO BS EN 10025 GRADE S275JR.

FABRICATION NOTE  
FULLY DRESS MATERIAL  
AFTER SHEARING AND  
PUNCHING IF NECESSARY.

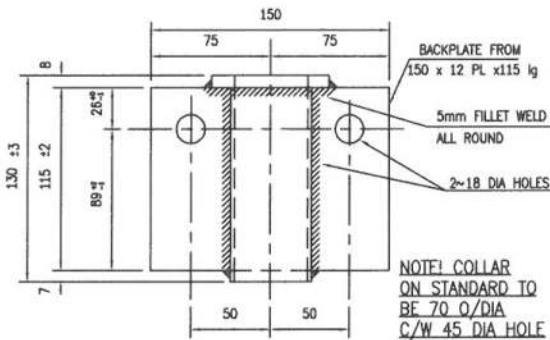


TOLERANCES:  
COLLAR- 66 OD  $\pm 0.15$   
37 ID  $\pm 0.15$   
THICKNESS 8mm  $\pm 0.1$   
ALL OTHER DIMS  $\pm 1$ mm.

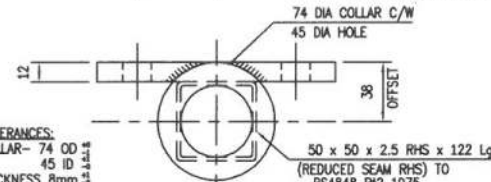


TYPE 'H' SOCKET TO SUIT  
25 N/B (MED) TUBULAR STANDARDS  
MATERIAL TO BS EN 10025 GRADE S275JR.

FABRICATION NOTE  
FULLY DRESS MATERIAL  
AFTER SHEARING AND  
PUNCHING IF NECESSARY.

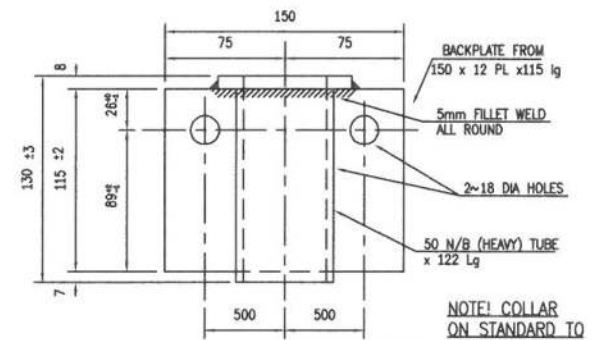


TOLERANCES:  
COLLAR- 74 OD  $\pm 0.15$   
45 ID  $\pm 0.15$   
THICKNESS 8mm  $\pm 0.1$   
ALL OTHER DIMS  $\pm 1$ mm.

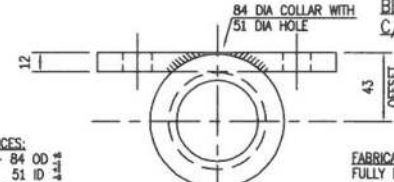


TYPE 'H' SOCKET TO SUIT  
32 N/B (MED) TUBULAR STANDARDS  
MATERIAL TO BS EN 10025 GRADE S275JR.

FABRICATION NOTE  
FULLY DRESS MATERIAL  
AFTER SHEARING AND  
PUNCHING IF NECESSARY.



TOLERANCES:  
COLLAR- 84 OD  $\pm 0.15$   
51 ID  $\pm 0.15$   
THICKNESS 8mm  $\pm 0.1$   
ALL OTHER DIMS  $\pm 1$ mm.



TYPE 'H' SOCKET TO SUIT  
40 N/B (MED) TUBULAR STANDARDS  
MATERIAL TO BS EN 10025 GRADE S275JR.

FABRICATION NOTE  
FULLY DRESS MATERIAL  
AFTER SHEARING AND  
PUNCHING IF NECESSARY.



103 Airport Road West  
Belfast  
BT3 9ED  
Tel: 02890 454599

DO NOT SCALE

IF IN DOUBT ASK

REF. DRGS.

|         |      |                         |      |                                 |      |            |      |          |            |             |          |                  |          |
|---------|------|-------------------------|------|---------------------------------|------|------------|------|----------|------------|-------------|----------|------------------|----------|
| SUBJECT |      | TYPE H<br>Socket Detail |      | FIXING CLIPS<br>SADDLE/STANDARD |      | No OFF     | TYPE | No OFF   | TYPE       | SCALE       | 1:20     | No. OF<br>PANELS |          |
| CLIENT: |      |                         |      |                                 |      |            |      |          |            | DRAWN BY    | RSC      | DATE             | 16/08/10 |
| ISSUE   | DATE | ISSUE                   | DATE | ISSUE                           | DATE | ISSUED FOR |      | DATE     | CHECKED BY | AC          | APPROVED | L.Mc.            |          |
| 02      |      | 01                      |      | 00                              |      |            |      | 05.09.09 | DRG. No.   | LKFL-STD-38 |          | ISSUE            |          |
|         |      |                         |      |                                 |      |            |      |          |            |             |          |                  | 00       |