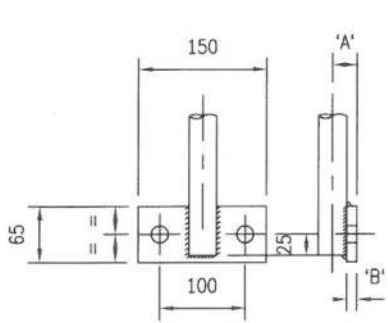


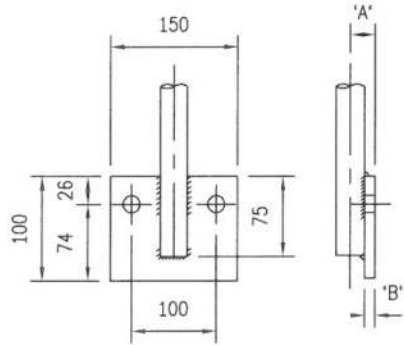
MATERIAL:

FINISH:

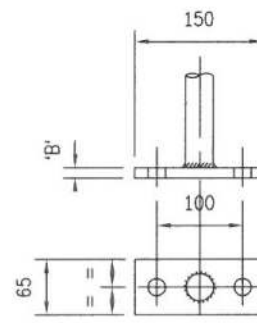
TYPICAL STANCHION BASE PLATE DETAILS



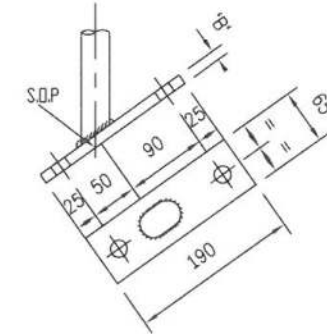
HORIZONTAL SIDE PALM-TYPE "A"



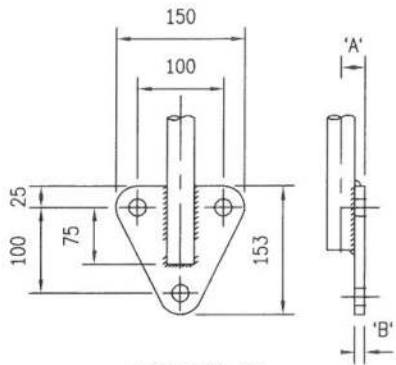
HORIZONTAL SIDE PALM-TYPE "FX"



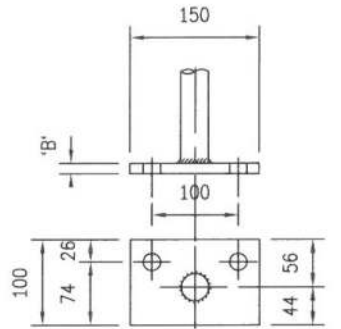
FLAT BASE-TYPE "D"



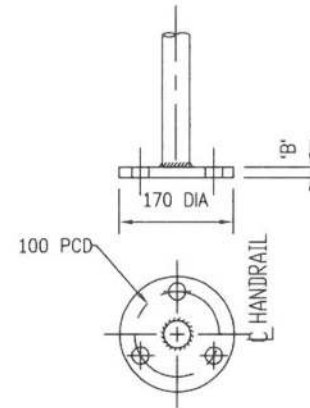
RAKED FLAT BASE TYPE "NX"



TRIANGULAR SIDE PALM-TYPE "F"



FLAT BASE-TYPE "GX"



CIRCULAR FLAT BASE TYPE "G"

STANDARD TYPE	'A'	'B'
25 N.B	29	12
32 N.B	33	12
40 N.B	36	12
40 N.B	39	15
32 DIA SOLID	28	12
38 DIA SOLID	31	12
38 DIA SOLID	34	15
45 DIA SOLID	38	15

TOLERANCES:
ALL DIMENSIONAL TOLERANCES TO BE +/- 0.5mm

FOR DETAILS OF 50 N.B TUBULAR STANDARD BASE PLATES SEE DRG No. LKFL-STD-05
MATERIAL TO BS EN 10025 1993 275
ALL BASEPLATES FULLY WELDED TO SHANKS OF STANDARDS (6mm FILLETS)
ALL HOLES 18mm DIA UNLESS STATED OTHERWISE



103 Airport Road West
Belfast
BT3 9ED
Tel: 02890 454599

DO NOT SCALE

IF IN DOUBT ASK

SUBJECT		FIXING CLIPS SADDLE/STANDARD		No OFF	TYPE	No OFF	TYPE
TYPICAL STANCHION Base plate Details							
CLIENT:		DATE	ISSUE	DATE	ISSUE	ISSUED FOR	
02			01		00	05.09.09	
SCALE		1:20		No. OF PANELS		No. OF PANELS	
DRAWN BY		RSC		DATE		16/08/10	
CHECKED BY		AC		APPROVED		L.Mc.	
DRG. No.		LKFL-STD-33		ISSUE		00	