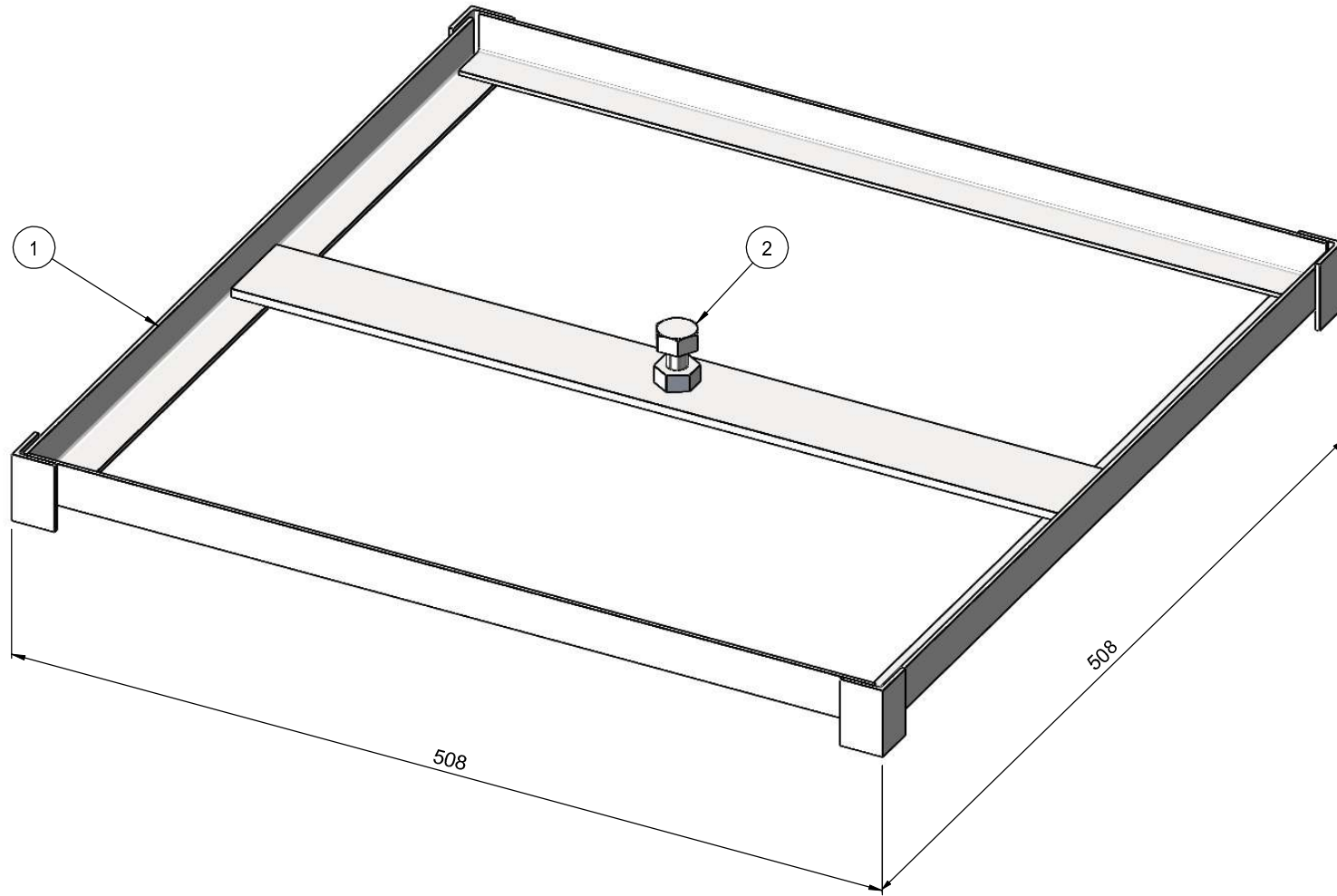


ALL DIMENSIONS IN MILLIMETRES
REMOVE ALL SHARP EDGES

THIRD ANGLE PROJECTION
DO NOT SCALE DRAWING



ITEM No.	PART No.	DESCRIPTION	QTY
1	16551530	HOARDING BOARD TRAY	1
2		7/16" BSW x 20 HEX HEAD SET SCREW	1

REV	DATE	DESCRIPTION	DRN	CHKD	APPR
2	20/5/11	ISSUED FOR MANUFACTURE	GC		
1	27/2/9	ISSUED FOR MANUFACTURE	GC		

TITLE: **HOARDING BLOCK TRAY
REAR**

UNLESS STATED OTHERWISE		
GENERAL TOLERANCES:		
FABRICATION	UP TO 1000mm	+/- 2mm
	1001mm & ABOVE	+/- 3mm
ANGULAR	+/- 0.5 DEGREE	
WEIGHT	+/- 10% (DUE TO MATERIAL PROPERTIES & TOLERANCES)	

NAME	SIGNATURE	DATE
DRAWN G. CRICK		9/11/7
CHK'D		
FINISH: ELECTRO-PLATED		

MATERIAL: **CARBON STEEL**



Dwg/Stock No. **16551530** Revision **2**

THE COMPANY RETAIN THE RIGHT TO PERIODICALLY ALTER INFORMATION WITHIN THIS DRAWING SHEET AND WILL ATTEMPT TO NOTIFY ALL PARTIES CONCERNED OF ANY CHANGES AND THE INFORMATION ON THIS SHEET SHOULD NOT BE REPRODUCED WITHOUT THEIR WRITTEN CONSENT.