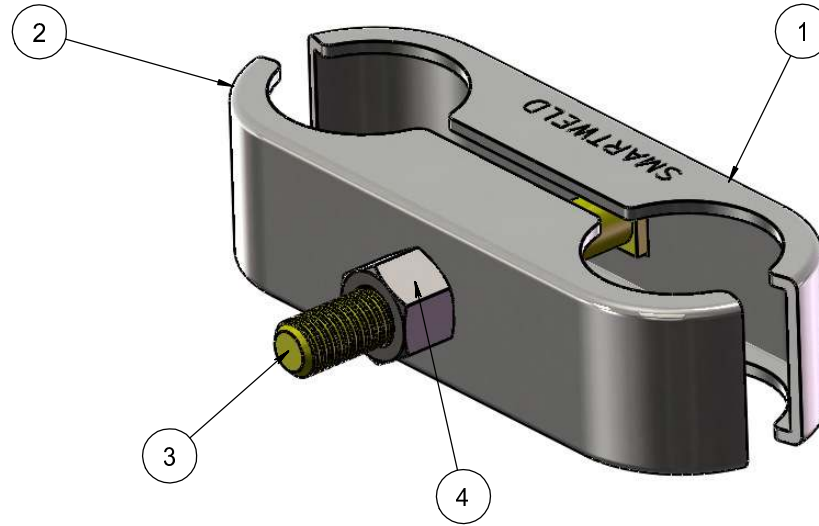


1
2
3
4
5
6
7
8

ALL DIMENSIONS IN MILLIMETRES
REMOVE ALL SHARP EDGES

THIRD ANGLE PROJECTION
DO NOT SCALE DRAWING



ITEM No.	PART No.	DESCRIPTION	QTY
1	08551330-1	COUPLER (SQUARE HOLE)	1
2	08551330-2	COUPLER (ROUND HOLE)	1
3	08551330-3	COUPLER BOLT (7/16" BSW)	1
4		7/16" BSW LOCK NUT (20.8 A/F)	1

REV	DATE	DESCRIPTION	DRN	CHKD	APPR
3	22/11/12	ISSUED FOR MANUFACTURE			
2	5/2/9	ISSUED FOR MANUFACTURE	GC		

TITLE: **GRIPPER COUPLER**

UNLESS STATED OTHERWISE		
GENERAL TOLERANCES:		
FABRICATION	UP TO 1000mm	+/- 2mm
	1001mm & ABOVE	+/- 3mm
ANGULAR	+/- 0.5 DEGREE	
WEIGHT	+/- 10% (DUE TO MATERIAL PROPERTIES & TOLERANCES)	

	NAME	SIGNATURE	DATE
DRAWN	G. CRICK		2/10/7
CHK'D			

FINISH: **NONE**

MATERIAL:
**CARBON STEEL
PRE-GALVANISED
TO BS EN 10244-2**



Dwg/Stock No. **08551330** Revision **3**

THE COMPANY RETAIN THE RIGHT TO PERIODICALLY ALTER INFORMATION WITHIN THIS DRAWING SHEET AND WILL ATTEMPT TO NOTIFY ALL PARTIES CONCERNED OF ANY CHANGES AND THE INFORMATION ON THIS SHEET SHOULD NOT BE REPRODUCED WITHOUT THEIR WRITTEN CONSENT.

WEIGHT: 0.42 Kg SCALE: 1:1 SHEET 1 OF 10 A3