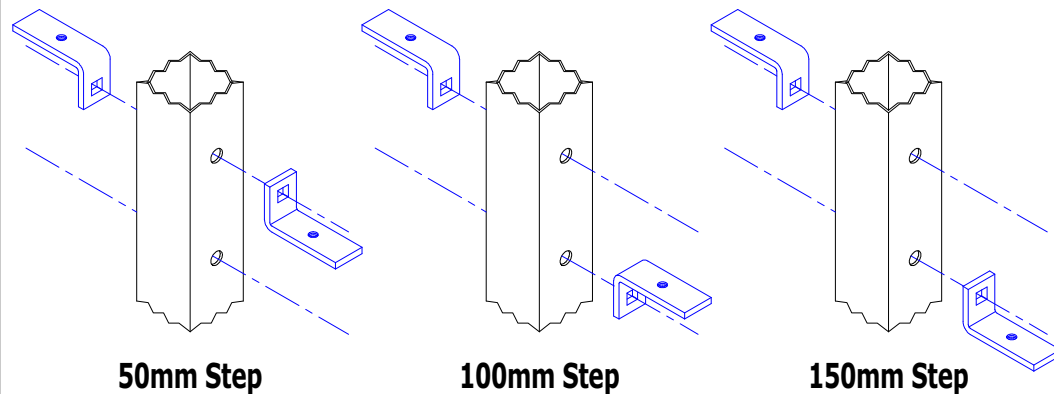
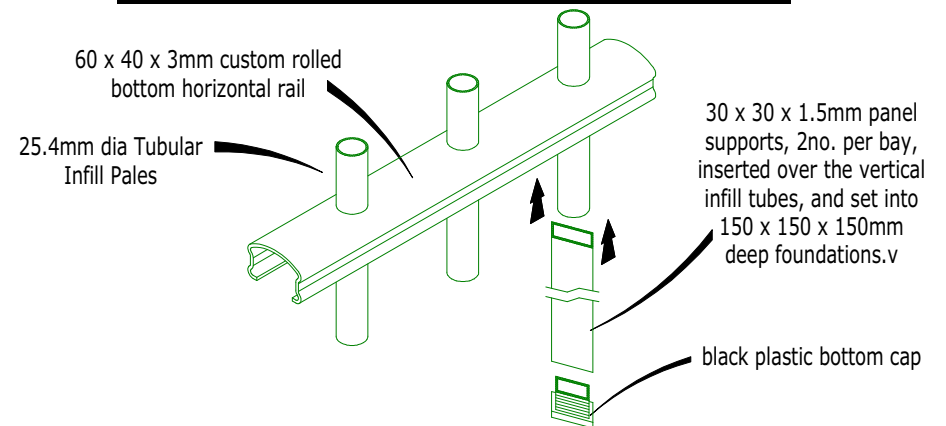


TYPICAL FIXING DETAIL FOR INTERMEDIATE POSTS

TYPICAL FIXING DETAIL FOR CORNER POSTS

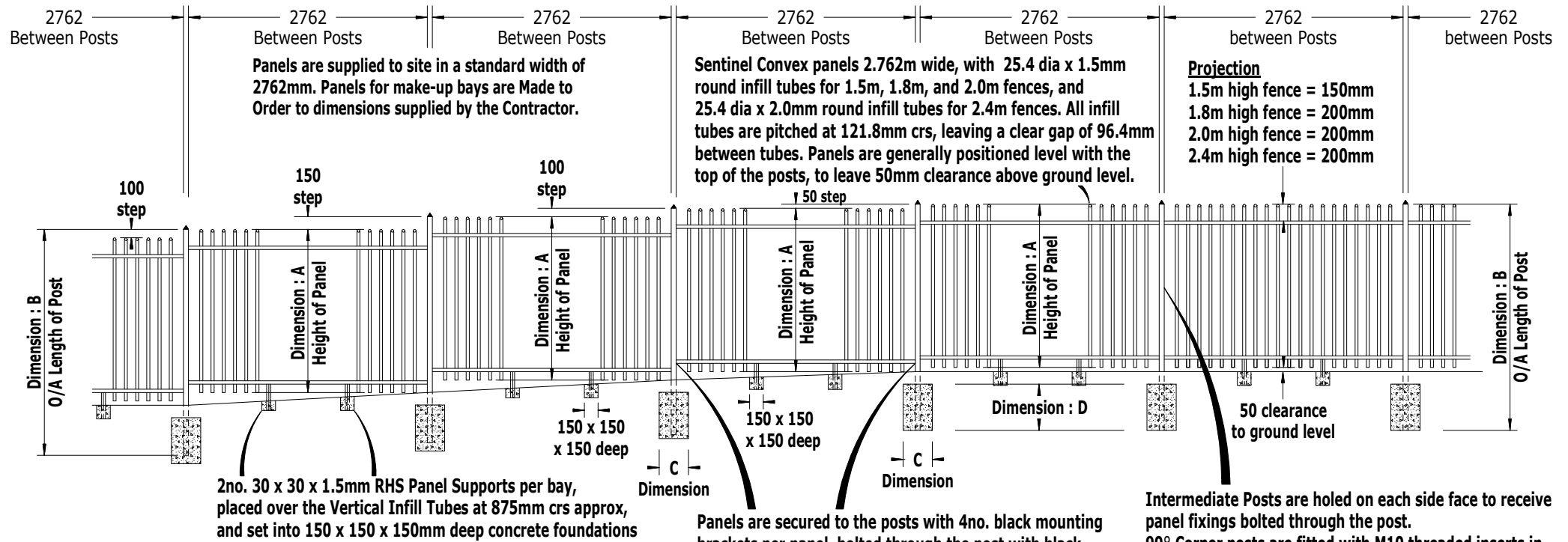


ORIENTATION OF BRACKETS FOR STEPPING ADJOINING PANELS



DETAILS OF PANEL BOTTOM SUPPORTS

BETAFENCE sales.sheffield@betafence.com www.betafence.com	Betafence Ltd - Wigan Woodhouse Lane Wigan WN6 7NS Phone 0870 120 3252 Fax 0870 120 3242	Betafence Ltd. reserves the right to amend and withdraw products detailed herein, without prior notice COPYRIGHT © 2005 BETAFENCE LTD - SHEFFIELD - ENGLAND	SENTINEL CONVEX RAILING SYSTEM		Drawn MJH	Date 06.04.05	Drawing No : CONVEX-B	REV A
			REVISION : A - Width of Panels changed from 2850 to 2762 wide - 07.02.06					



Gradients

All standard Intermediate & Corner posts are fitted with additional standard fixing points to facilitate 50, 100 and 150mm steps between adjoining panels to achieve the following slopes :

Full Width panel

2762 wide panel with 50mm step	1 in 57.0 (1.7%)	(1.0°)
2762 wide panel with 100mm step	1 in 28.5 (3.5%)	(2.0°)
2762 wide panel with 150mm step	1 in 19.0 (5.3%)	(3.0°)

2/3 Width Panel

1910 wide panel with 50mm step	1 in 36.5 (2.8%)	(1.6°)
1910 wide panel with 100mm step	1 in 18.3 (5.6%)	(3.2°)
1910 wide panel with 150mm step	1 in 12.2 (8.2%)	(4.7°)

1/2 Width Panel

1425 wide panel with 50mm step	1 in 26.5 (3.8%)	(2.1°)
1425 wide panel with 100mm step	1 in 13.3 (7.6%)	(4.2°)
1425 wide panel with 150mm step	1 in 8.8 (11.3%)	(6.3°)

1/3 Width Panel

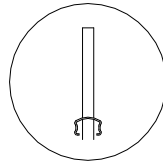
935 wide panel with 50mm step	1 in 21.5 (4.7%)	(2.7°)
935 wide panel with 100mm step	1 in 10.8 (9.4%)	(5.4°)
935 wide panel with 150mm step	1 in 7.2 (14.0%)	(8.0°)

Steeper slopes will require made-to-order extra long posts, manufactured with holes / threaded inserts to suit, to dimensions supplied by the Contractor

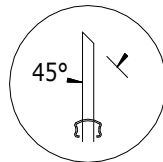
Note :

The preferred method of installation is : Post - Panel - Post - Panel, etc. Care must be taken to avoid over tightening of bolts.

ALTERNATIVE TOPPINGS



SQUARE-CUT INFILL TUBES



ANGLE-CUT INFILL TUBES

Panels are secured to the posts with 4no. black mounting brackets per panel, bolted through the post with black M10 stainless cup-sq-rd bolts to suit, and black shear-nuts. Each cross rail is secured to the mounting brackets via moulded black Nylon spacers and black M8 x 36 stainless Tri-Lobe pilot bolts.

Concrete Foundations must not be leaner by mass than 1 part cement to 10 parts 20mm nominal size graded aggregates, and must be thoroughly compacted prior to the initial set.

Dim : A Fence Height	Dim : A Panel Height	Post Section Size	Dim : B Length Of Post	Dim : C Size Of Found's	Dim : D Minum Depth	Fixngs per Bay
1.5m	1450mm	60x60x2.5mm	2100mm	350mm	450mm	4no.
1.8m	1750mm	60x60x2.5mm	2500mm	350mm	550mm	4no.
2.0m	1950mm	60x60x2.5mm	2700mm	350mm	550mm	4no.
2.4m	2350mm	80x80x2.5mm	3100mm	350mm	550mm	4no.

Any damage to the Posts and Panels should be made good using a Zinc Etch Primer paint, followed by a coat of Cromadex 222 polyurethane repair paint.

IMPORTANT NOTE :
 The Foundation sizes indicated are taken from BS 1722 Part 9 for "normal" ground conditions only, & may require modification to suit the prevailing ground conditions on site.

REVISION : A - Width of Panels changed from 2850 wide to 2762 wide - 07.02.06