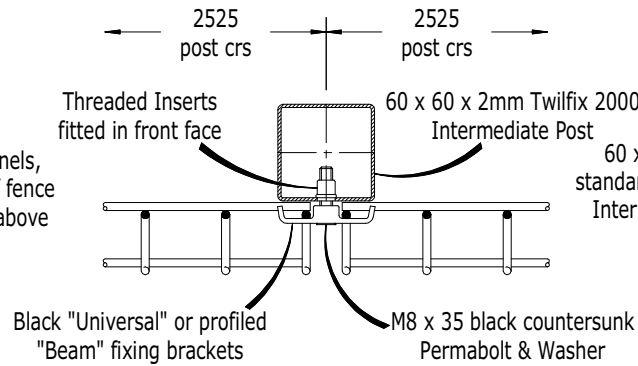
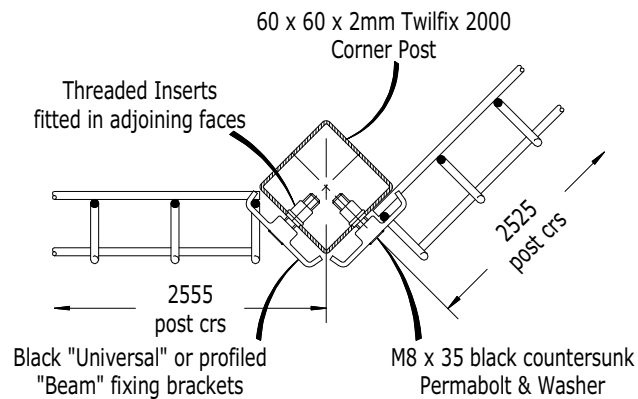


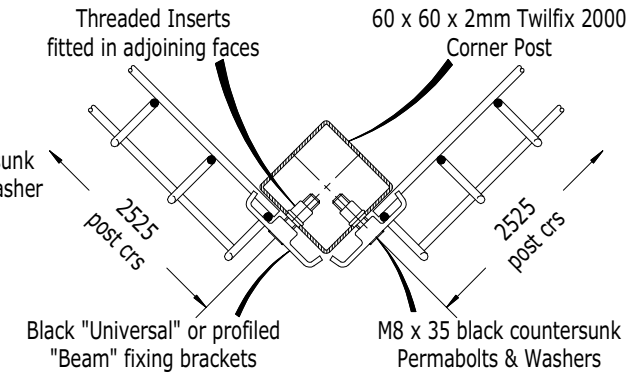
**TYPICAL POST AND PANEL FIXING DETAIL**



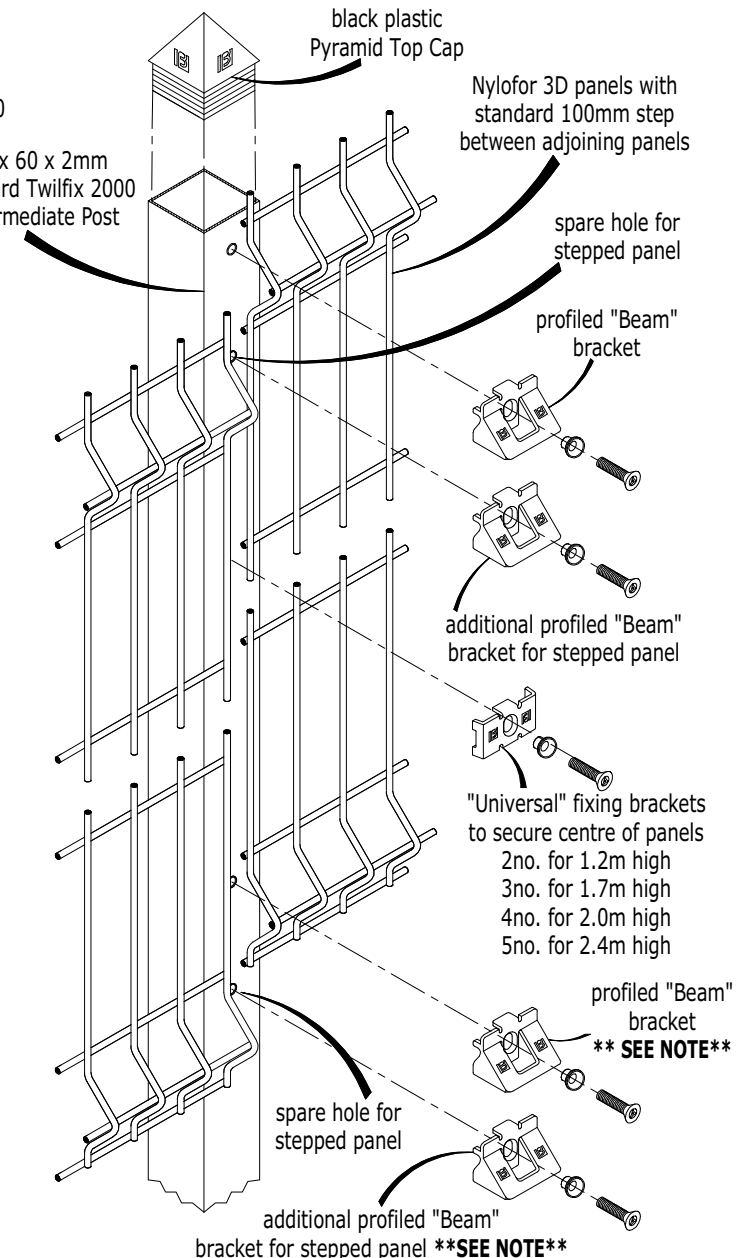
**PLAN VIEW ON INTERMEDIATE POST**



**PLAN VIEW ON OBTUSE CORNER POST**



**PLAN VIEW ON 90° CORNER POST**



**STEPPING DETAIL FOR SLOPING GROUND**

**\*\* NOTE:** On the Nylofor 3D System Employing the 1.2m Panel Height, the bottom Beam Bracket **MUST BE REVERSED** and attached to the **UNDERSIDE** of the beam. **\*\***

**B BETA FENCE**

sales.sheffield@betafence.com  
www.betafence.com

Betafence Ltd - Wigan  
Woodhouse Lane  
Wigan WN6 7NS  
Phone 0870 120 3252  
Fax 0870 120 3242

Betafence Ltd. reserves the right to amend and withdraw products detailed herein, without prior notice

COPYRIGHT © 2005  
BETA FENCE LTD - SHEFFIELD - ENGLAND

**NYLOFOR 3D**

Drawn

MJH

Date

09.06.03

Drawing No :

**NY-3D-B**

REV  
**A**

