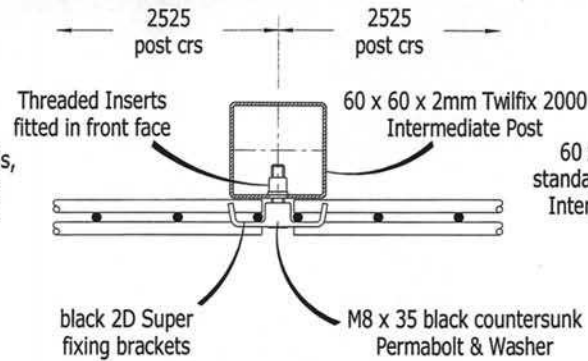
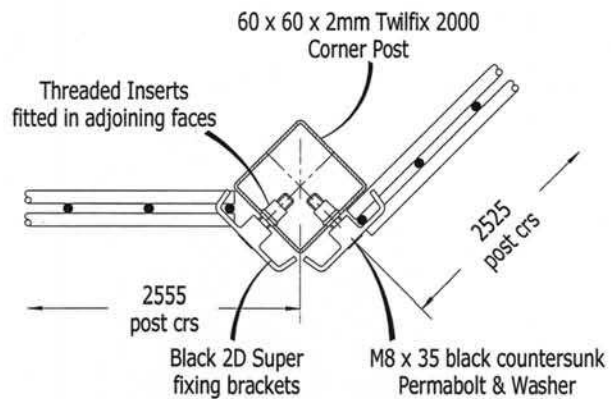


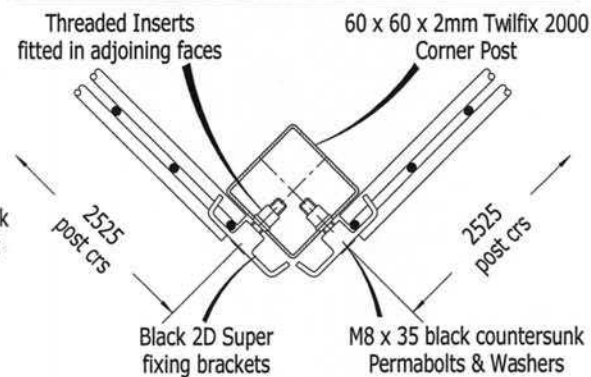
TYPICAL POST AND PANEL FIXING DETAIL



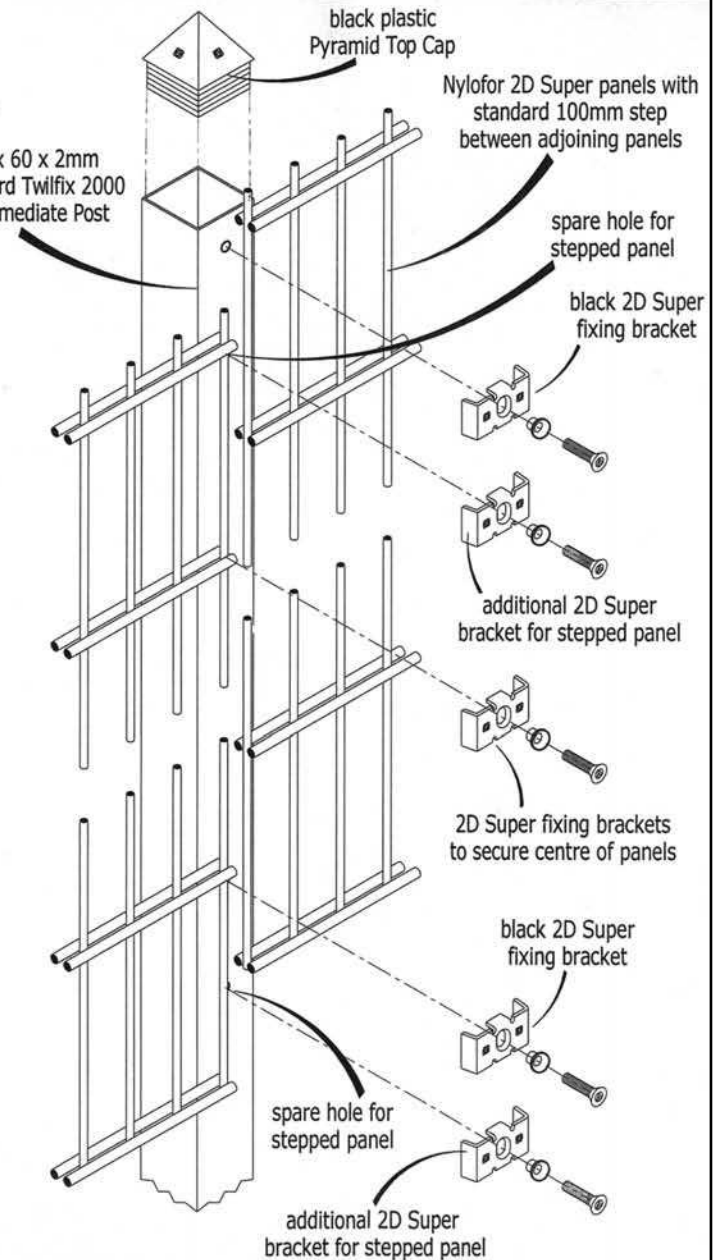
PLAN VIEW ON INTERMEDIATE POST



PLAN VIEW ON OBTUSE CORNER POST



PLAN VIEW ON 90° CORNER POST



STEPPING DETAIL FOR SLOPING GROUND

BETA FENCE

Betafence Limited
Woodhouse Lane
Wigan WN6 7NS
Phone 0870 120 3252
Fax 0870 120 3242

sales.sheffield@betafence.com

www.betafence.com

**NYLOFOR 2D SUPER
WITH FIXING BRACKETS**

Drawn

MJH

Date

09.06.03

Drawing No :

NY - 2DS

REV

