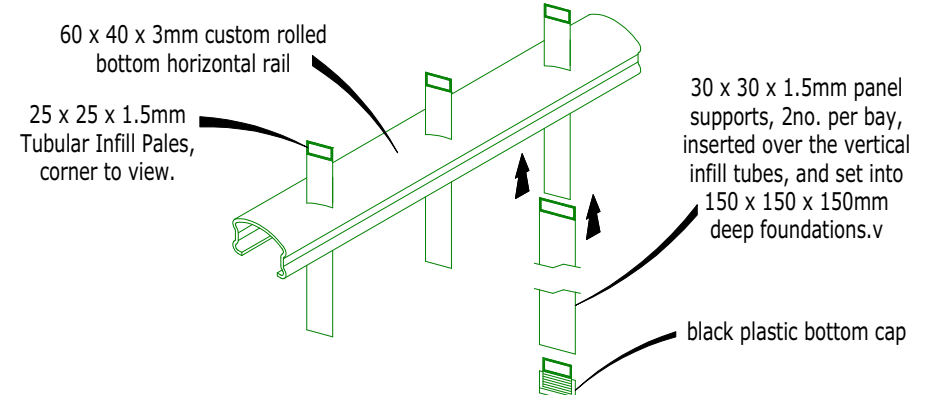
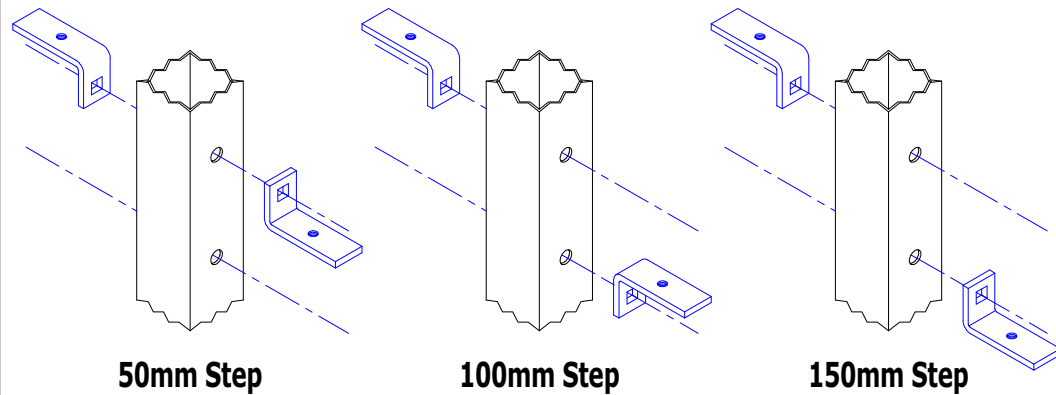


TYPICAL FIXING DETAIL FOR INTERMEDIATE POSTS

TYPICAL FIXING DETAIL FOR CORNER POSTS



ORIENTATION OF BRACKETS FOR STEPPING ADJOINING PANELS

DETAILS OF PANEL BOTTOM SUPPORTS

