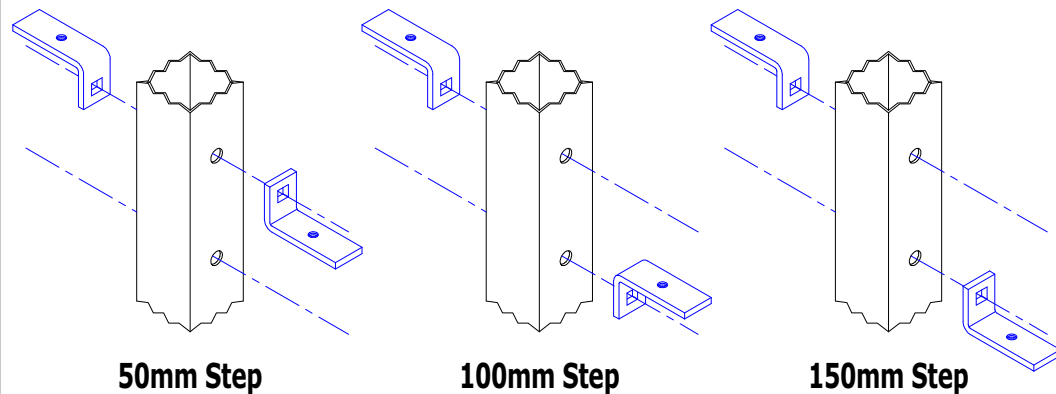
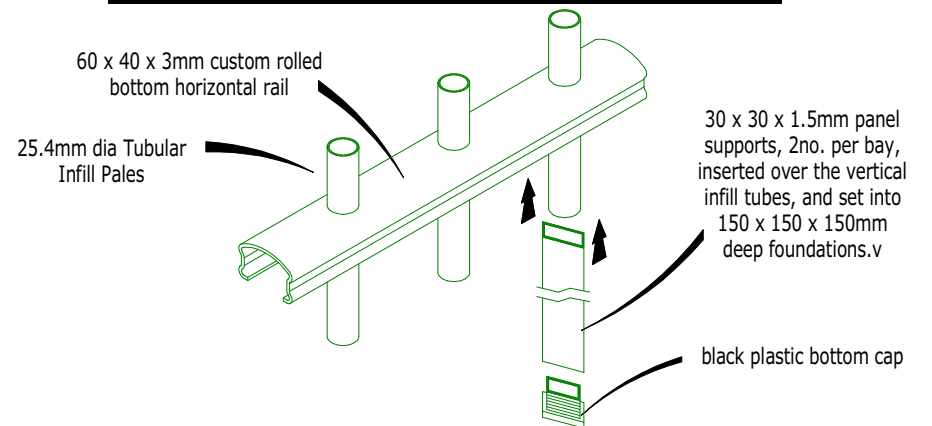


TYPICAL FIXING DETAIL FOR INTERMEDIATE POSTS

TYPICAL FIXING DETAIL FOR CORNER POSTS



ORIENTATION OF BRACKETS FOR STEPPING ADJOINING PANELS



DETAILS OF PANEL BOTTOM SUPPORTS

B BETA FENCE

Betafence Ltd - Wigan
Woodhouse Lane
Wigan WN6 7NS
Phone 0870 120 3252
Fax 0870 120 3242

sales.sheffield@betafence.com
www.betafence.com

Betafence Ltd. reserves the right to
amend and withdraw products
detailed herein, without prior notice

COPYRIGHT © 2005
BETA FENCE LTD - SHEFFIELD - ENGLAND

**SENTINEL CONVEX BOW TOP
RAILING SYSTEM**

REVISION : A - Width of Panels changed from 2850 to 2762 wide x 07.02.06

Drawn	Date
MJH	06.04.05

Drawing No :
**CONVEX
BOW TOP-B**

REV
A

