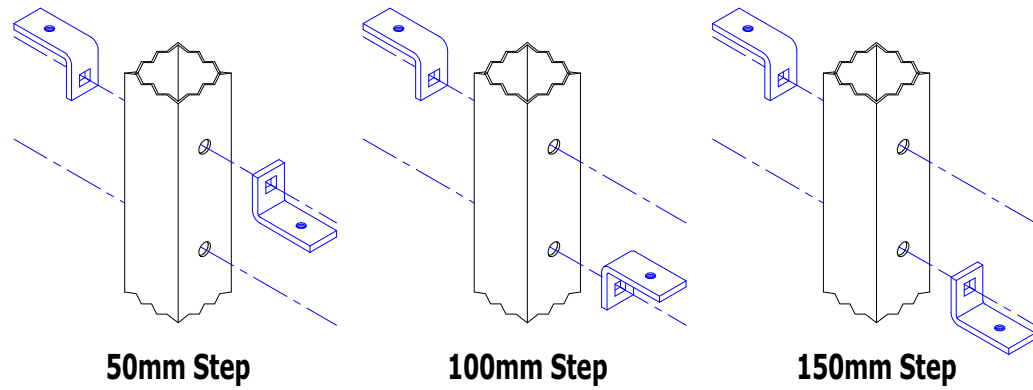
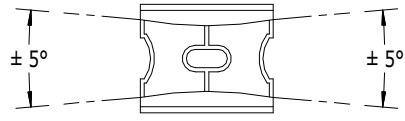


TYPICAL FIXING DETAIL FOR INTERMEDIATE POSTS

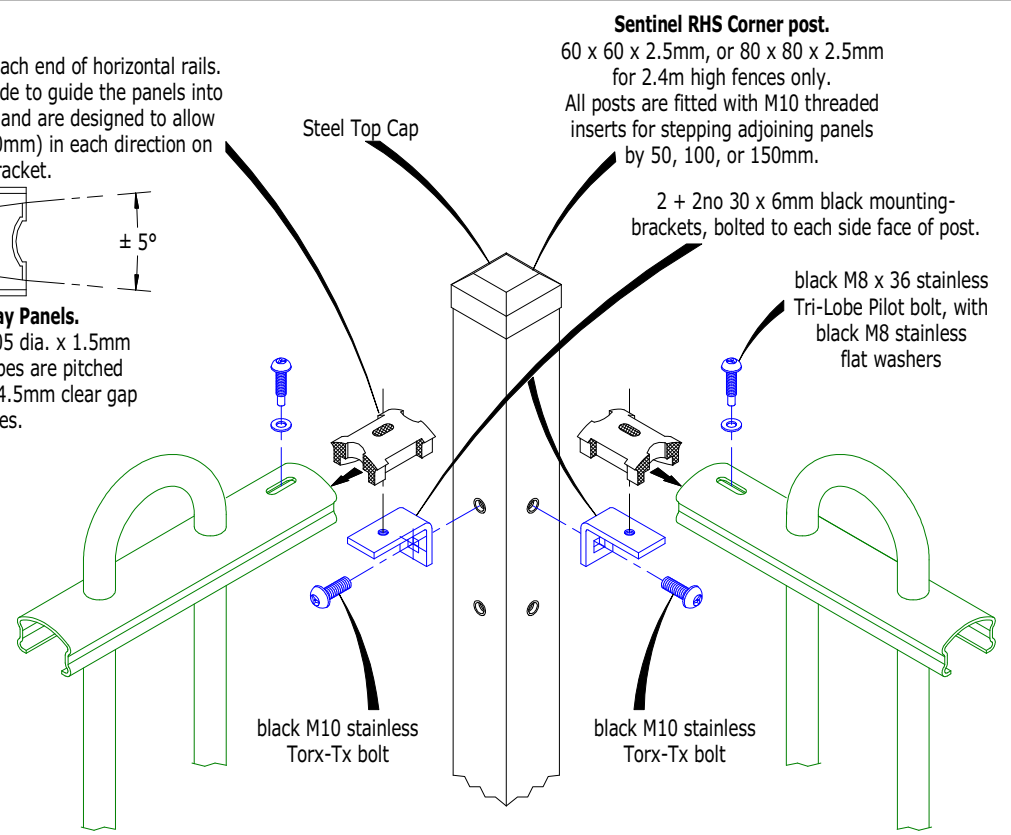


ORIENTATION OF BRACKETS FOR STEPPING ADJOINING PANELS

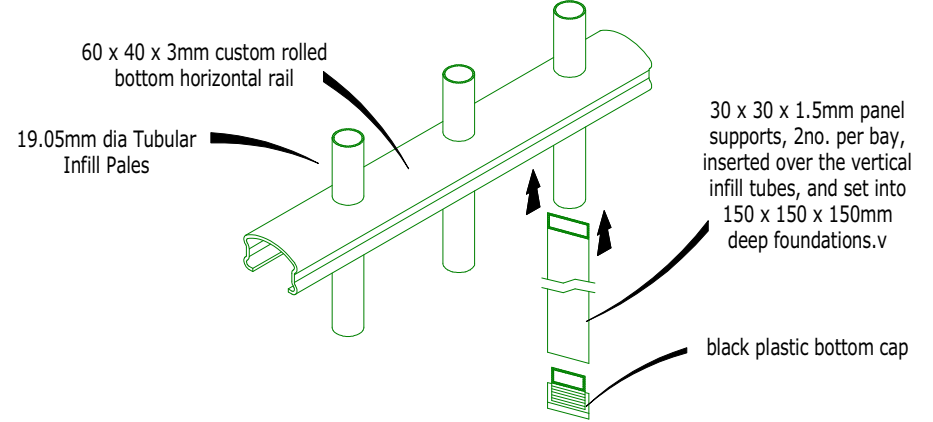
black plastic spacers, inserted into each end of horizontal rails. Spacers are recessed on the underside to guide the panels into position on the mounting brackets, and are designed to allow the panels to pivot through 5° (250mm) in each direction on the mounting bracket.



Sentinel Convex Play Panels.
2,762mm wide, with 19.05 dia. x 1.5mm Round tubes. All infill tubes are pitched at 103.4mm crs leaving 84.5mm clear gap between tubes.



TYPICAL FIXING DETAIL FOR CORNER POSTS



DETAILS OF PANEL BOTTOM SUPPORTS

BETA FENCE
sales.sheffield@betafence.com
www.betafence.com

Betafence Ltd - Wigan
Woodhouse Lane
Wigan WN6 7NS
Phone 0870 120 3252
Fax 0870 120 3242

Betafence Ltd. reserves the right to amend and withdraw products detailed herein, without prior notice

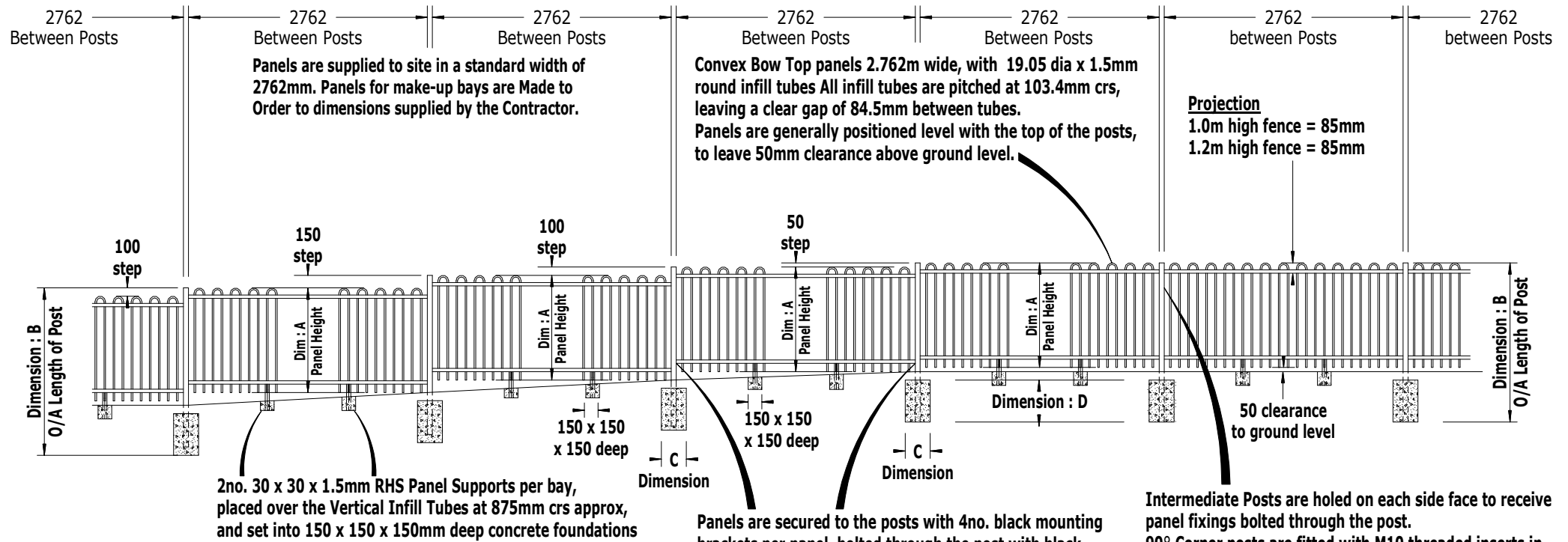
COPYRIGHT © 2005
BETA FENCE LTD - SHEFFIELD - ENGLAND

SENTINEL CONVEX PLAY RAILING SYSTEM

REVISION : A - Position of Top Cross Rail revised from 130 below top of panel to 85 below top of panel - 06.02.06

Drawn MJH
Date 06.06.05

Drawing No :
CONVEX PLAY-B
REV **A**



Gradients

All standard Intermediate & Corner posts are fitted with additional standard fixing points to facilitate 50, 100 and 150mm steps between adjoining panels to achieve the following slopes :

Full Width panel

- 2762 wide panel with 50mm step : 1 in 57.0 (1.7%) (1.0°)
- 2762 wide panel with 100mm step : 1 in 28.5 (3.5%) (2.0°)
- 2762 wide panel with 150mm step : 1 in 19.0 (5.3%) (3.0°)

2/3 Width Panel

- 1935 wide panel with 50mm step : 1 in 36.0 (2.8%) (1.6°)
- 1935 wide panel with 100mm step : 1 in 18.0 (5.6%) (3.2°)
- 1935 wide panel with 150mm step : 1 in 12.0 (8.4%) (4.7°)

1/2 Width Panel

- 1520 wide panel with 50mm step : 1 in 27.3 (3.7%) (2.1°)
- 1520 wide panel with 100mm step : 1 in 13.7 (7.4%) (4.2°)
- 1520 wide panel with 150mm step : 1 in 9.1 (11.1%) (6.3°)

1/3 Width Panel

- 900 wide panel with 50mm step : 1 in 18.7 (5.3%) (2.7°)
- 900 wide panel with 100mm step : 1 in 9.4 (10.6%) (5.4°)
- 900 wide panel with 150mm step : 1 in 6.2 (15.9%) (8.0°)

Steeper slopes will require made-to-order extra long posts, manufactured with holes / threaded inserts to suit, to dimensions supplied by the Contractor

Note :

The preferred method of installation is : Post - Panel - Post - Panel, etc. Care must be taken to avoid over tightening of bolts.

Panels are secured to the posts with 4no. black mounting brackets per panel, bolted through the post with black M10 stainless cup-sq-rd bolts to suit, and black shear-nuts. Each cross rail is secured to the mounting brackets via moulded black Nylon spacers and black M8 x 36 stainless Tri-Lobe pilot bolts.

Concrete Foundations must not be leaner by mass than 1 part cement to 10 parts 20mm nominal size graded aggregates, and must be thoroughly compacted prior to the initial set.

Any damage to the Posts and Panels should be made good using a Zinc Etch Primer paint, followed by a coat of Cromadex 222 polyurethane repair paint.

Dim : A Fence Height	Dim : A Panel Height	Post Section Size	Dim : B Length Of Post	Dim : C Size Of Found's	Dim : D Minum Depth	Fixngs per Bay	IMPORTANT NOTE : The Foundation sizes indicated are taken from BS 1722 Part 9 for "normal" ground conditions only, & may require modification to suit the prevailing ground conditions on site.
1.0m	950mm	60x60x2.0mm	1600mm	300mm	450mm	4no.	
1.2m	1150mm	60x60x2.0mm	1800mm	300mm	550mm	4no.	

REVISION : A - Position of Top Cross Rail revised from 130 below top of panel to 85 below top of panel - 06.02.06